

OT900

BATTERY-POWERED ELECTRIC TUG
TO PULL LOADS **UP TO 3000 KG***

ZERO EMISSIONS

QUIET

LOW MAINTENANCE



Folding and height adjustable tiller for better comfort of use



Butterfly accelerator, easy to control with your thumb



Battery charger on board, display with light indication of charge status



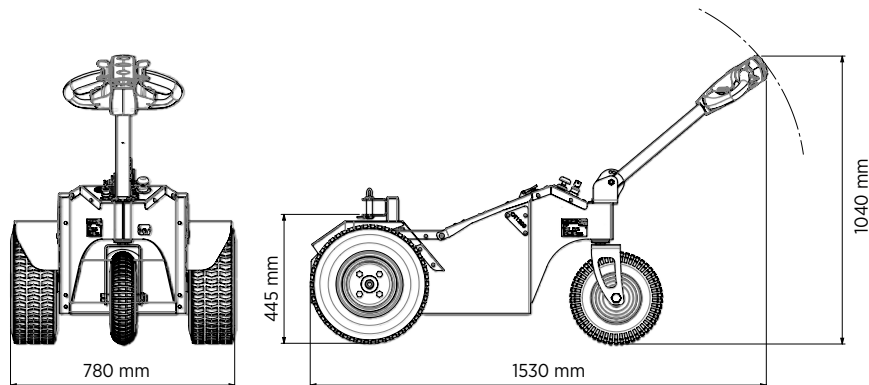
Pivoting wheel allows a minimum of space to steer


MADE IN ITALY

The OT-900 is a towing equipment, with three wheels and tiller steering. It has been designed to easily move trailer trolleys and other containers on wheels, in safety and comfort, reducing physical stress and improving productivity. Many configurations are possible by choosing among different types of batteries and tires. It can be fitted with several accessories that make the standard product adaptable to many uses.

ALITRAK[®]
ELECTRIC MINDED

www.alitrak.com



UNIForce DISTRIBUTION

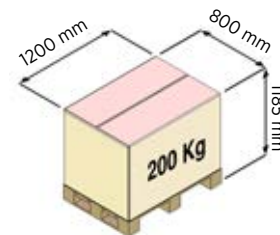
Uniforce Distribution Inc.
 Tel : (866) 889-1272
 Courriel : info@uniforcedistribution.com
 Web : www.uniforcedistribution.com

FEATURES

Equipment body	3 wheels
Driving wheels on differential	Garden type
Driving control type	Foldable tiller
Accelerator	Butterfly type
Hook height	430 mm abt
Battery charger	On board, 13 A High Frequency
Dashboard display	Remaining battery charge
Parking brake	Electromagnetic with the possibility of release
Batteries	Flooded 2 x 12V/72 Ah C20 (or AGM 2 x 12V/85 Ah C20)
Elektromotor	OT900 24V/900 Watt S1 OT1200 24V/1200 Watt AC S2 60 min
Product net weight	178 kg abt

PERFORMANCES

Weight movement capacity on flat surface up to*	3000 Kg
Pulling speed	
Fast	5 Km/h abt
Slow	2,5 km/h abt
Pushing speed	
Fast	3 Km/h abt
Slow	1,5 Km/h abt
Battery recharging time	8 hours abt



*The weight movement capacity is an indication., that can change with different machine fittings and working conditions (type of ground,wheel type,use of ballast,etc.)

Features shown are subject to change without notice

ACCESSORIES



Anti dumping wheel frame with additional hook heights

Direct steering system

Multifunctional wheel/tiller arm system

Clamp for trailer trolleys

Squared tube hook

Tow hitch ball

Different hook types

Ballast 24 Kg

Flashing light

Different tyres and tread profiles

Anti flat tire treatment by polyurethane filled wheels

Different battery types