

SSQ11 PLUS PROSERIES

Price

S S Q 1 1 0 0 0 P

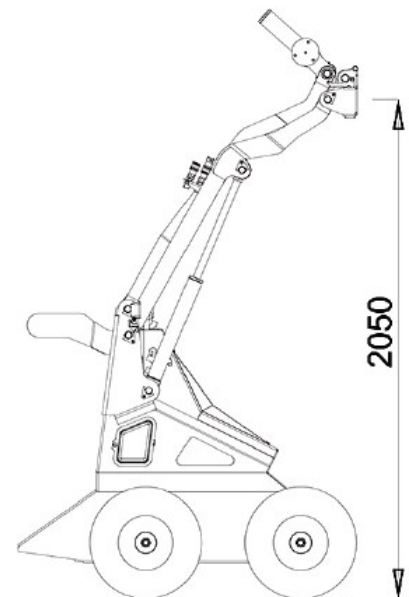
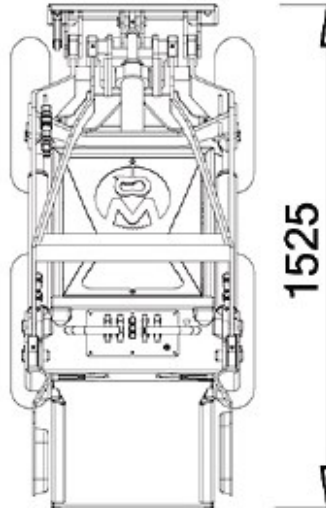
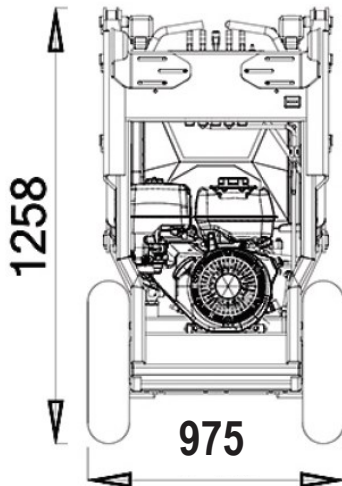
UNIFORCE DISTRIBUTION

24 995.00



Standard set-up

Type of Engine: HONDA GX390
 Capacity (kW/Hp): 8,7/11,7
 Start up: electric
 Displacement cm³/ number of cylinders: 389/1
 Revolutions per minute (rpm): 3600
 Cooling: air cooled
 Fuel/ fuel tank capacity(l): petrol (Euro95)/ 6
 Drive system: Hydraulic 4WD wheel motors
 Speed (km/h): 0-6 (proportional)
 Hydraulic drive system (l/min - bar): 21,6 - 200
 Hydraulic tank capacity (l): 44
 Standard wheels: 18x8.50-10 Turf tires
 Electrical system (V): 12
 Battery capacity(Ah): 45
 Braking system: Hydraulic with 4 wheel motors
 Steering: Skid Steering
 Lifting capacity (Kg): 280 (with counterweights)
 Traction force (Kg): 420 (with counterweights)
 Breakout force (Kg): 330
 Dimensions (L mm x W mm x H mm): 1525x910x1258
 Weight (Kg): 630
 Throttle Lever: Standard
 Lateral Protection: Standard
 Hour Counter: Standard
 Integrated counterweights 50 Kg: included
 Side counterweights 30 Kg included
 Auxilliary Hydraulics included



(579) 630-1272 info@uniforcedistribution.com

Prices subject to change without prior notice