



SSQ ECOQUAD-S **PROSERIES**

Price

S S Q 1 1 0 0 5 0



Standard set-up

35 995.00

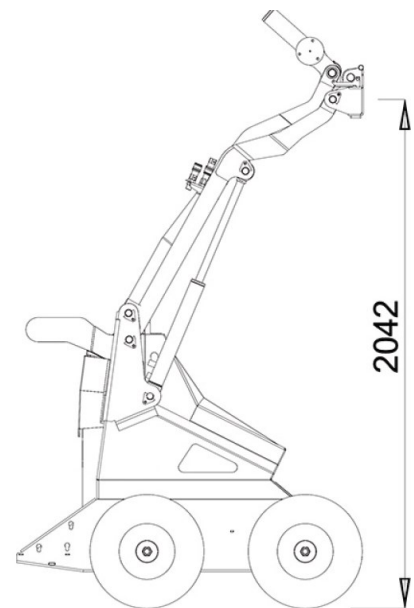
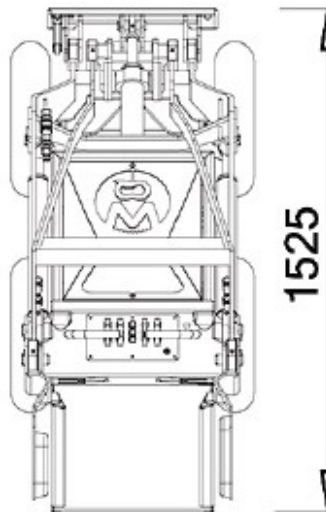
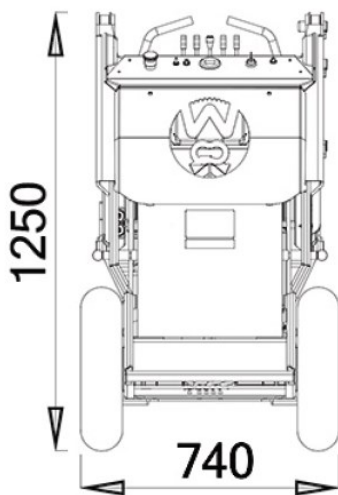


- _____ Type of Engine: Permanent magnets
- _____ Revolutions per minute: 2500
- _____ Battery Type: Traction battery
- _____ Voltage (V): 36
- _____ Battery capacity (Ah): 240
- _____ Engine power (kW): 5,7
- _____ Drive system: Hydraulic 4WD wheel motors
- _____ Hydraulic drive system (l/min - bar): 18,5 - 200
- _____ Hydraulic tank capacity (l): 18
- _____ Standard wheels: 4.00-8 Forklift
- _____ Braking system: Hydraulic with 4 wheel motors
- _____ Steering: Skid Steering
- _____ Lifting capacity (Kg): 450 (with counterweights)
- _____ Traction force (Kg): 390 (with counterweights)
- _____ Breakout force (Kg): 400
- _____ Dimensions (L mm x W mm x H mm): 1525x740x1250
- _____ Auxilliary hydraulics included
- _____ Weight (Kg): 850

Price

Electronic charger 220V
(code 48161020)

1 395.00



(579) 630-1272 info@uniforcedistribution.com

Prices subject to change without prior notice

Transport to final destination not included