

**SSQ 22** PROSERIES

**Price**

S S Q 2 2 0 0 0 1

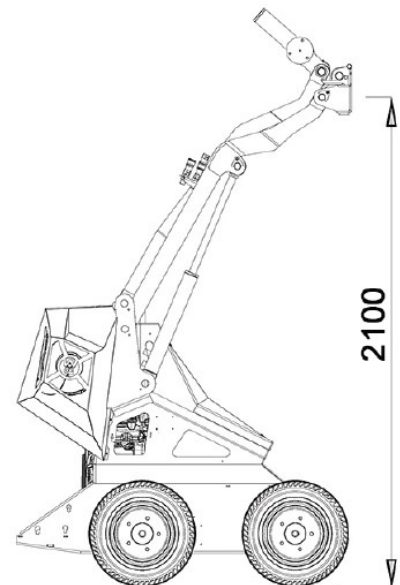
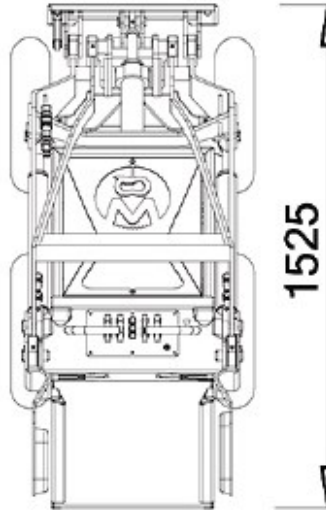
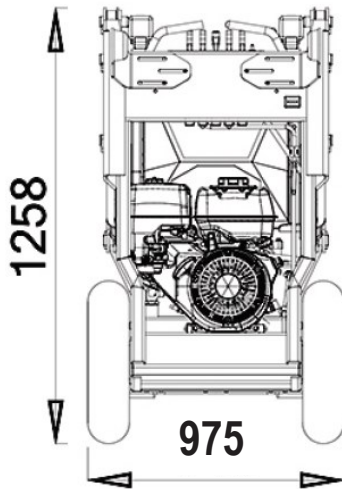
UNIForce DISTRIBUTION

**Standard set-up**

29 900.00



Type of Engine: HONDA HGX690  
Capacity (kW/Hp): 16,5 / 22,1  
Start up: electric  
Displacement cm<sup>3</sup>/ number of cylinders: 688/2  
Revolutions per minute (rpm): 3600  
Cooling: air cooled  
Fuel/ fuel tank capacity(l): petrol (Euro95)/ 15  
Drive system: Hydraulic 4WD wheel motors  
Speed (km/h): 0-7 (proportional)  
Hydraulic drive system (l/min - bar): 35 - 200  
Hydraulic tank capacity (l): 44  
Standard wheels: Turf Tires 18x8.5-10 \*not the same as picture ( all trac)  
Electrical system (V): 12  
Battery capacity(Ah): 45  
Braking system: Hydraulic with 4 wheel motors  
Steering: Skid Steering  
Lifting capacity (Kg): 350 (with counterweights)  
Traction force (Kg): 500 (with counterweights)  
Breakout force (Kg): 330  
Dimensions (L mm x W mm x H mm): 1525x975x1258  
Auxilliary hydraulics included  
Intergrated counterweight included  
Weight (Kg): 630



**(579) 630-1272** [info@uniforcedistribution.com](mailto:info@uniforcedistribution.com)

**\*\*Prices subject to change without prior notice\*\***