



WX 15 D PROSERIES

Price

W X 1 5 0 0 0 0 1

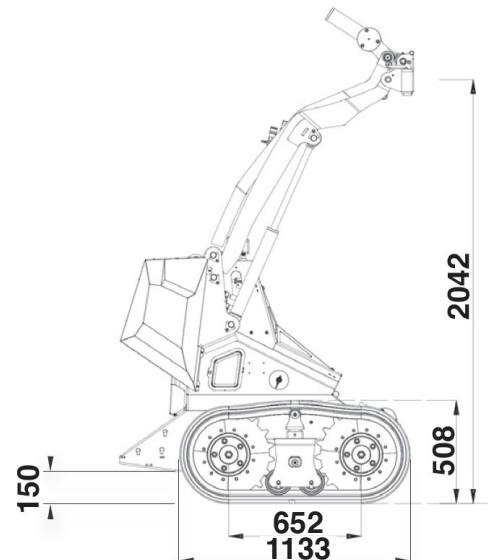
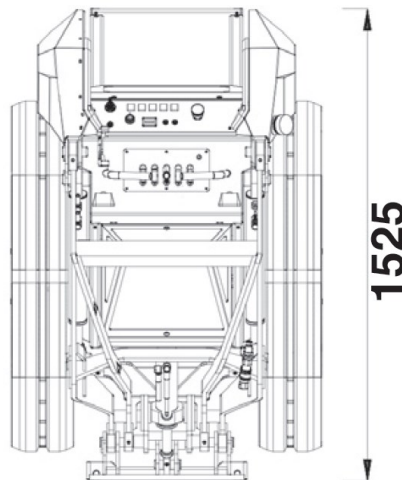
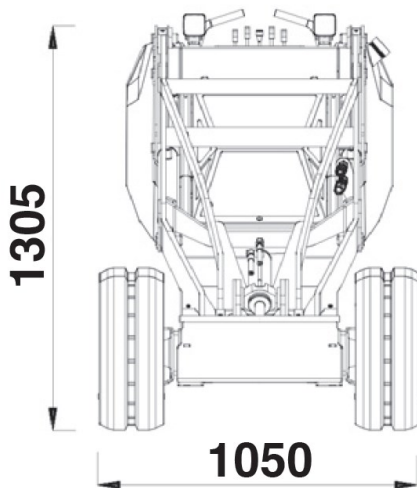
Standard set-up

36 900.00



Type of Engine: KUBOTA Z602 - E4B
 Capacity (kW/HP): 10,9 / 14,8
 Start up: electric
 Displacement cm³/ number of cylinders: 599/2
 Revolutions per minute (rpm): 3200
 Cooling: liquid cooled
 Fuel/ fuel tank capacity(l): diesel/ 25
 Drive system: Hydraulic 4WD wheel motors
 Speed (km/h): 0-6 (proportional)
 Hydraulic drive system (l/min - bar): 25,6 - 200
 Hydraulic tank capacity (l): 25
 Standard wheels: 180 mm Rubber Tracks
 Electrical system (V): 12
 Battery capacity(Ah): 45
 Braking system: Hydraulic with 4 wheel motors
 Steering: Skid Steering
 Lifting capacity (Kg): 340 (with counterweights)
 Traction force (Kg): 420 (with counterweights)
 Breakout force (Kg): 330
 Dimensions (L mm x W mm x H mm): 1525x1050x1305
 Auxilliary hydraulics included
 Weight (Kg): 884

* Model available also with remote control.



(579) 630-1272 info@unforcedistribution.com

Prices subject to change without prior notice

Transport to final destination not included