

SSQ11 PLUS

Price

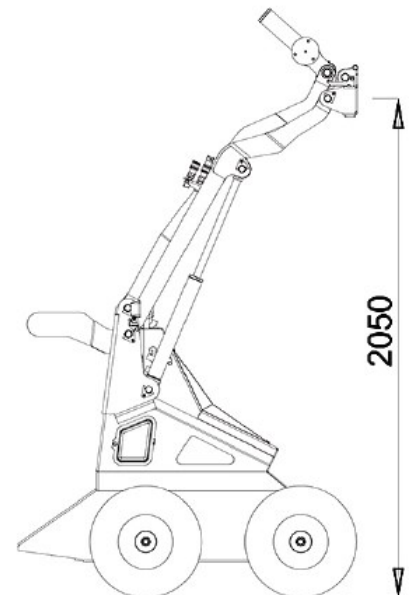
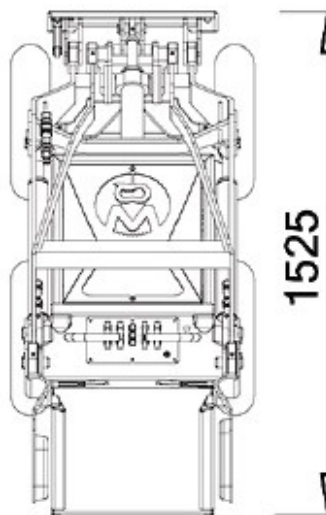
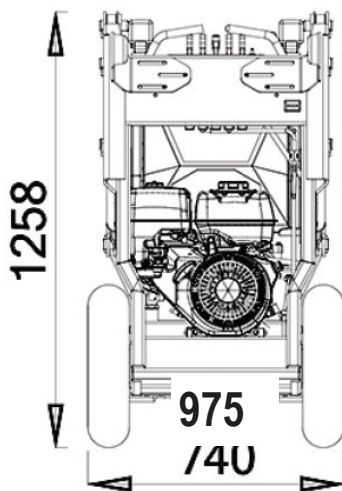
S S Q 1 1 0 0 0 P

Standard set-up

29 990.00



- Type of Engine: HONDA GX390
- Capacity (kW/Hp): 8,7/11,7
- Start up: electric
- Displacement cm³/ number of cylinders: 389/1
- Revolutions per minute (rpm): 3600
- Cooling: air cooled
- Fuel/ fuel tank capacity(l): petrol (Euro95)/ 6
- Drive system: Hydraulic 4WD wheel motors
- Speed (km/h): 0-6 (proportional)
- Hydraulic drive system (l/min - bar): 21,6 - 200
- Hydraulic tank capacity (l): 44
- Standard wheels: 18x8.50-10 Skid
- Electrical system (V): 12
- Battery capacity(Ah): 45
- Braking system: Hydraulic with 4 wheel motors
- Steering: Skid Steering
- Lifting capacity (Kg): 280 (with counterweights)
- Traction force (Kg): 420 (with counterweights)
- Breakout force (Kg): 330
- Dimensions (L mm x W mm x H mm): 1525x740x1258
- Weight (Kg): 600
- Throttle Lever: Standard
- Lateral Protection: Standard
- Hour Counter: Standard
- Integrated counterweights 50 Kg: Standard
- Side counterweights 30 Kg included
- Auxiliary Hydraulics included



(579) 630-1272 info@uniforcedistribution.com

Prices subject to change without prior notice