



WX ECO

Price

W X 1 1 0 0 0 5 0

Standard set-up

42 000.00

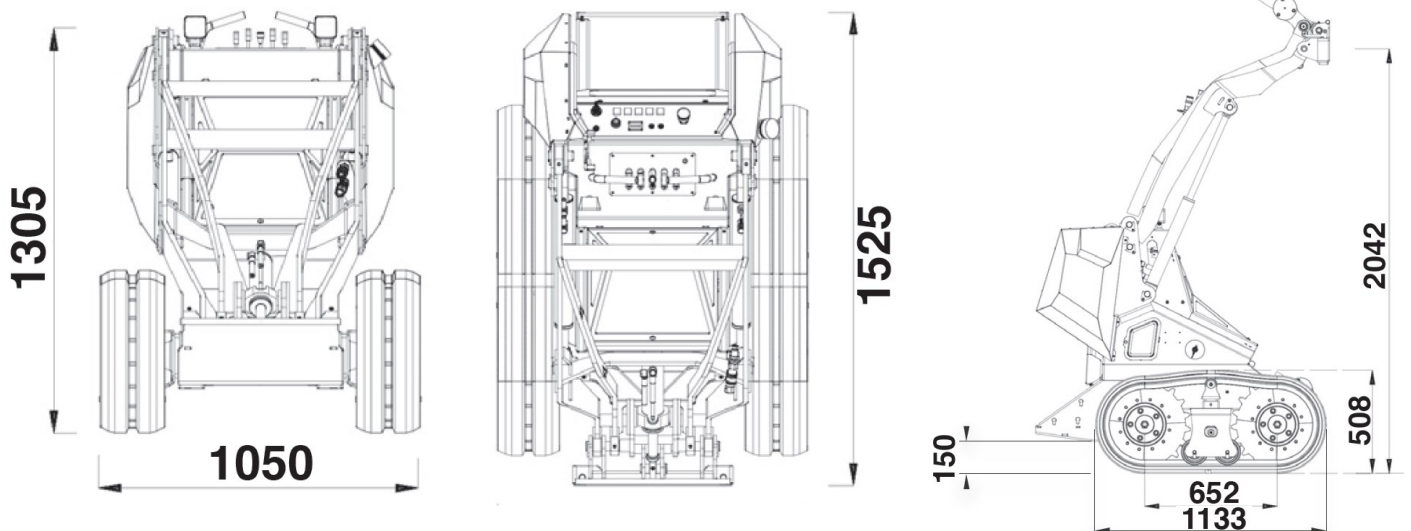


Type of Engine:	Permanent magnets
Revolutions per minute:	2500
Battery Type:	Traction battery
Voltage (V):	36
Battery capacity (Ah):	240
Engine power (kW):	5,7
Drive system:	Hydraulic 4WD wheel motors **
Hydraulic drive system (l/min - bar):	18,5 - 200
Hydraulic tank capacity (l):	18
Standard wheels:	180 mm Rubber Tracks
Braking system:	Hydraulic with 4 wheel motors
Steering:	Skid Steering
Lifting capacity (Kg):	450 (with counterweights)
Traction force (Kg):	390 (with counterweights)
Breakout force (Kg):	400
Dimensions (L mm x W mm x H mm):	1525x1050x1305
Weight (Kg):	1050

* CHARGER (apart):

Price

Electronic charger 220V (code 48161020)	1400.00
--	---------



(579) 630-1272 info@unforcedistribution.com

Prices subject to change without prior notice