

Price list 2023



WX 22

Price

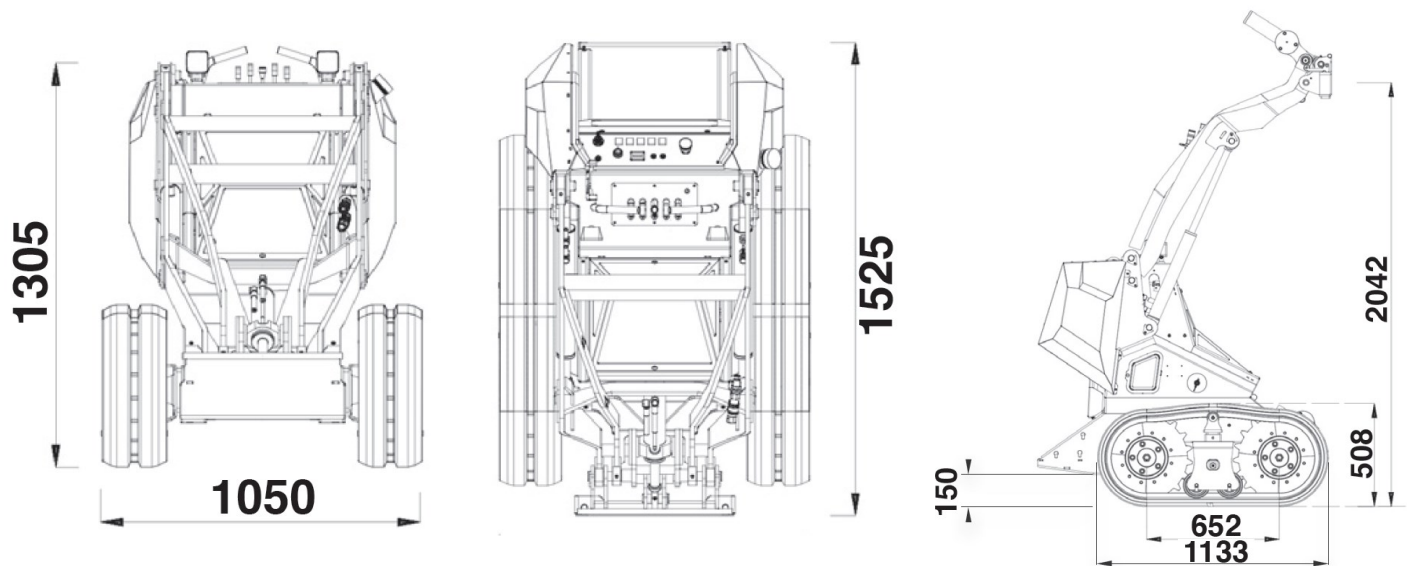
W X 2 2 0 0 0 0 1 M 1

Standard set-up

38 500.00



Type of Engine: HONDA HGX690
 Capacity (kW/Hp): 16,5 / 22,1
 Start up: electric
 Displacement cm3/ number of cylinders: 688/2
 Revolutions per minute (rpm): 3600
 Cooling: air cooled
 Fuel/ fuel tank capacity(l): petrol (Euro95)/ 15
 Drive system: Hydraulic 4WD wheel motors
 Speed (km/h): 0-7 (proportional)
 Hydraulic drive system (l/min - bar): 35 - 200
 Hydraulic tank capacity (l): 44
 Standard wheels: 180 mm Rubber Tracks
 Electrical system (V): 12
 Battery capacity(Ah): 45
 Braking system: Hydraulic with 4 wheel motors
 Steering: Skid Steering
 Lifting capacity (Kg): 350 (with counterweights)
 Traction force (Kg): 500 (with counterweights)
 Breakout force (Kg): 330
 Dimensions (L mm x W mm x H mm): 1525x1050x1305
 Weight (Kg): 830
 Auxiliary Hydraulics included



(579) 630-1272 info@uniforcedistribution.com

Prices subject to change without prior notice